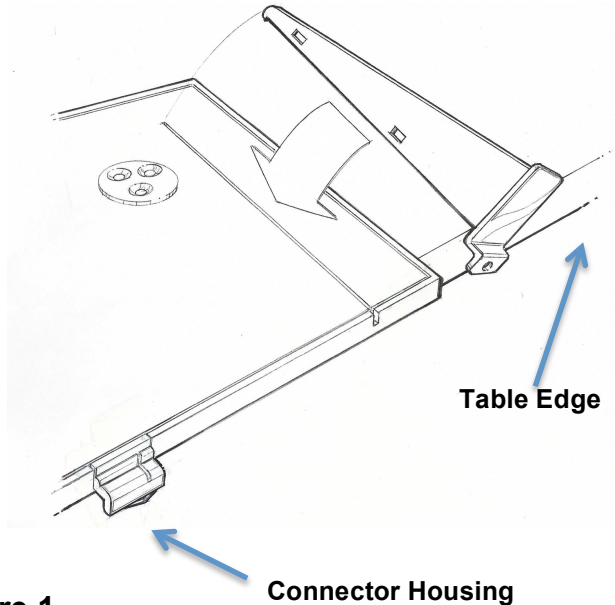


# Aduro Display Shelf Assembly Instructions

---

- Remove the shelves and brackets from the box
- Remove the foam wrapping from the shelves
- Remove the plastic sleeves from the brackets
- Place the shelf on a table with the connector housing off of the table edge and the lights and bracket slots facing up as shown in **Figure 1**



**Figure 1**

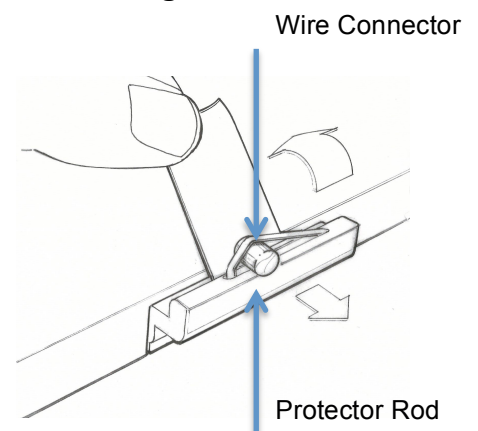
Insert the brackets into the slots located on the bottom of the shelf as shown in **Figure 1** making sure the brackets are up against the back of the shelf. Push the brackets into the slots until a click sound is heard and the brackets are locked into place.

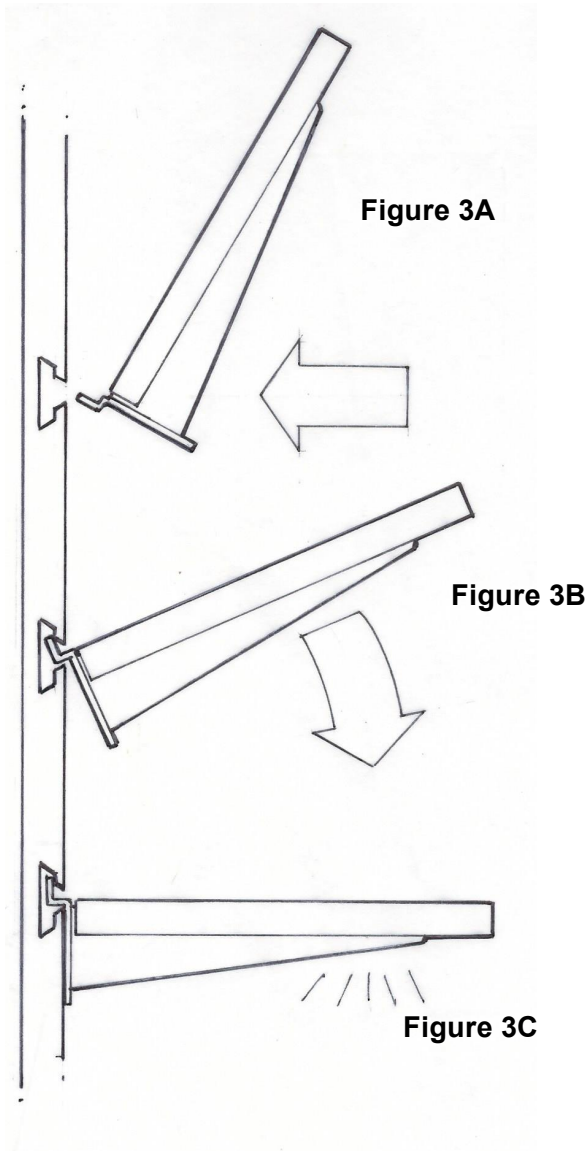
- Turn the shelf over with the brackets on the bottom

Carefully remove the tape from the connector housing located in the center of the back edge of the shelf (between the metal brackets). Then remove the protector rod from the under wire connector and discard *being careful not to pull the end of the wire connector out of its slot* as shown in **Figure 2**.

Cont'd on reverse

**Figure 2**





Hold the Aduro shelf in a vertical position as shown in **Figure 3A** and insert the shelf brackets into the Aduro wall slot

With the shelf brackets inserted into the wall slot rotate the shelf down as shown in **Figure 3B**

Continue to rotate the shelf down until the shelf brackets and shelf stop in a horizontal position as shown in **Figure 3C**. As the shelf rotates down the lights on the bottom of the shelf will automatically illuminate.

**NOTE: Every other slot (6") in the Aduro Wall is a powered slot. The shelf needs to be placed in a powered slot in order to light up. Powered slots have a metal edge on the lower front of the slot.**